

# TRAYBOX DUAL DOOR

The XL TrayBoxes are ideal for trayback utes and are designed to withstand rugged daily use.

Built from tough 1.2mm & 1.6mm zincanneal steel they provide secure efficient storage for work or play.

Heavy duty gas struts assist in lid operation and provide years of maintenance free usage. Three base support rails allow for tray lip clearance and provide an extremely strong support base for sturdy mounting. The half door allows for dropside clearance.



Adjustable Height Shelving



Quality Stainless Slam Locks with Central Locking Compatibility



Tray Edge Clearance



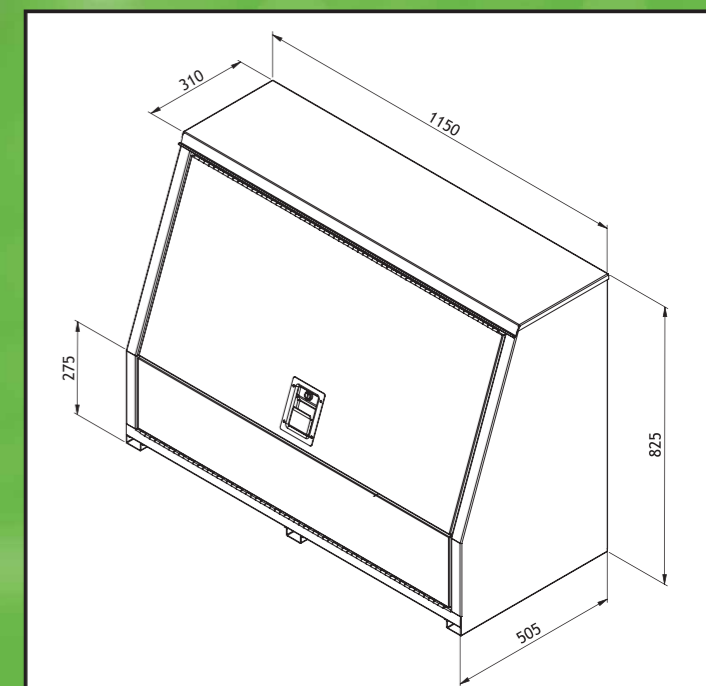
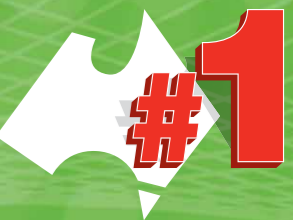
Dual Traybox Setup



**Toolboxes...  
Built to take a Beating!**

## TrayBox Dual Door Features:

- Stylish cabin contoured profile.
- Adjustable galvanised shelving.
- Multiple unit orders can be keyed alike.
- High quality exterior stainless steel slam locks.
- Zinc plated piano hinge & easy lift gas struts.
- Tough pearl white powdercoat finish.
- Central locking compatible.
- Reinforced doors for extra strength and durability.
- Fitting kit supplied with each toolbox.
- Drop-down door provides a handy workbench area.
- Box is 100% Australian made.



Product Code	Length	Height	Width	Capacity	Mass
TY1150D	1150	825	310/505	350	63kg

\*Length, height and width shown in millimeters, Capacity shown in litres.